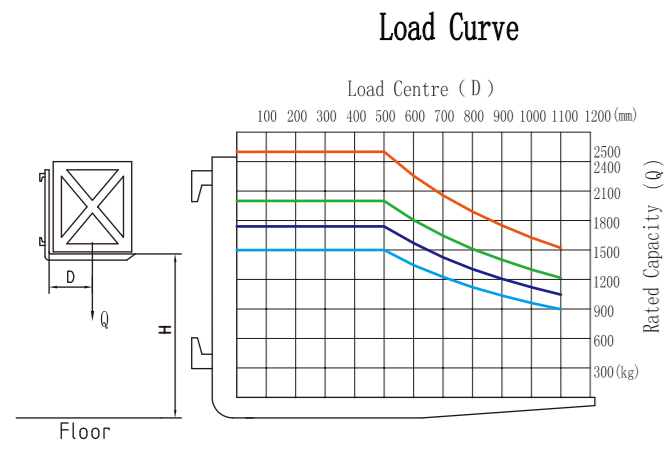


## Configuration Option Sheet

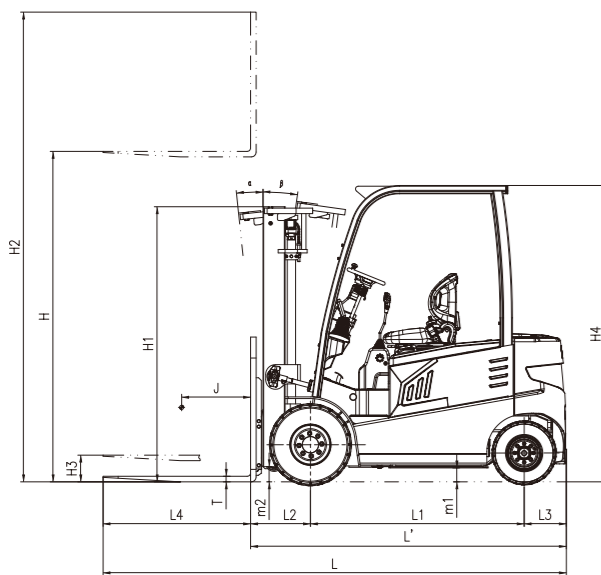
N Series 1.5-2.5t

Configuration	Multi Function Display	Driving/lifting/steering Computer Controlled	Pedal Rubber	Lead Acid & Lithium Battery	Emergency Stop Switch
	Full Set of LED Lights	Reversing Buzzer	Safety seat	Full-hydraulic Power Steering	Wide view mast
	Warning Light	Two-piece Multiplex Valve	High Efficiency AC Drive Motor	Gear Pump with Low Noise	Energy Efficient Dynamic Signal
	Load Sensing Hydraulic System	Roof Weather Canopy	Charging Indicator	Electric Horn	Wide Angle Backup Mirror
	Traction Pin	Tool Box	Standard Forks	Lift, Tilt, Levers	
Optional	Cabin	Cold A/C	Heater	Suspension Seat	Lifting Potentiometer
	Battery Charger	Lateral Pull Battery	Lithium Battery	Rotating Buzzer Warning Light	Rear Working Light
	Solid Tyres	Non Marking Tyres	Three sides(left,right and rear)red/blue bar light	Rear Blue Light	Large Capacity Battery
	Tailored backrest	Widen Fork Carriage	Protective Net	Electric Fan	Reversing Handrail Horn
	Corner Positioner	Reversing Radar	Fork Extensions	Tilt cylinder protection	Steering cylinder protection
	Steering cylinder protection	Multiple Hydraulic	Transparent Roof Cover		

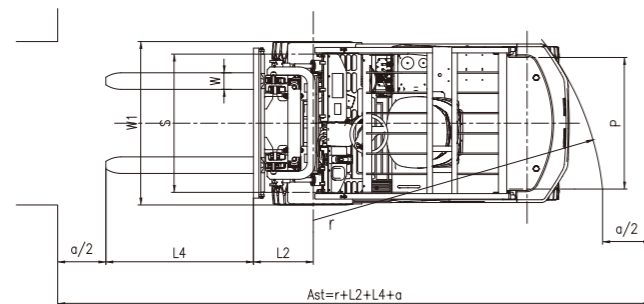
## Load Curve



## Structure Diagram



Ast : Right Angle Stacking Aisle Width  
a : Clearance



# LOKING

# LOKING



## 1.5-2.5t N Series Counterbalance Electric Forklift Truck



**LOKING HOLDINGS LIMITED**  
**LOKING (SHANGHAI) FORKLIFT SALES CO.,LTD.**

Add:196.Xinrun Road,Xinqiao,Songjiang Industrial Zone Shanghai  
Sales Hot-line:+86-21-37602160 sales hotline:+86-400-021-6969  
Fax:+86-21-61303339-8195 E-mail:ccfw@lonking.cn  
http://www.lonking.cc P.C:201612



## Attractive Appearance

Vehicle appearance is designed by professional industrial design methods. Artistic and Strengthful.

## Strong Stability

Battery is sinking designed to ensure vehicle stability. Integral type axle & gear box and short front overhang improve vehicle longitudinal stability. Overhead rear axle improves vehicle lateral stability.

## Energy Efficiency

Transmission system and electric motor are professional matching designed. Battery life is prolonged by 30 minutes. Automatic turning slowdown function is optional. Equipped with LED light, energy and efficient.

## Well-adapted

The battery can be equipped with an optional side-pull configuration to adapt to different operating environments; the high-power motor has strong power and good heat dissipation, making it easier to climb hills and work with a full load.

## Convenient Maintenance

Special locking structure and side panel structure designed makes battery maintenance very convenient.

## Wide field of view

The wide field of view mast gives the operator a very wide field of view.



## Product details and advantages



Using conductive fast charging technology for new energy vehicles, the standard model can be fully charged within 2 hours. The lithium battery has no memory effect and can be charged and taken on the go.



During deceleration or braking, the braking energy feedback system converts the vehicle's kinetic energy into electrical energy to charge the battery.



The key parts of the whole machine, electric system, instruments, etc. are all made of internationally or domestically renowned brand products, and important components have undergone strict reliability tests.



Using A-grade lithium iron phosphate cells, each cell has a safety protection device to ensure the safety of the battery.

## Overall Specifications

## N Series 1.5-2.5t

Character		LONKING						
1.01	Manufacturer							
1.02	Model		LG15BVI	LG18BVI	LG20BVI	LG25BVI		
1.03	Power type		Electrical(AC)					
1.04	Rated capacity	Q	kg	1500	1800	2000	2500	
1.05	Load center	J	mm	500				
Dimensions								
2.01	Max. height (with backrest)	H2	mm	4030	4030	4040	4040	
2.02	STD Max lifting height	H	mm	3000	3000	3000	3000	
2.03	Overhead guard height	H4	mm	2140	2140	2148	2148	
2.04	Overall length (with fork),lead-acid	L	mm	3005	3005	3364	3374	
	Overall length (with fork),lithium			3015	3075	3399	3444	
2.05	Wheelbase	L1	mm	1380	1380	1550	1550	
2.06	Front overhang	L2	mm	415	415	444	444	
2.07	Rear overhang,lead-acid	L3	mm	290	290	300	310	
	Rear overhang,lithium			300	360	335	380	
2.08	Min ground clearance (Chassis/Mast)	m1/m2	mm	115/100	115/100	115/120	115/135	
2.09	Overall width (outside)	W1	mm	1086	1086	1185	1185	
2.10	Fork adjustment range		mm	200-970	200-970	240-1040	240-1040	
2.11	Fork size(STD)		mm	920x100x35		1070x120x40		
2.12	Front wheel tread	S	mm	910	910	960	960	
2.13	Rear wheel tread	P	mm	920	920	950	950	
2.14	Min turning radius(outside), lead-acid	r	mm	1800	1800	2000	2020	
	Min turning radius(outside), lithium			1815	1850	2035	2090	
2.15	Min aisle width rfor pallet 1000x1200,crossways, lead-acid	Ast	mm	3409	3409	3635	3655	
	Min aisle width rfor pallet 1000x1200,crossways, lithium			3424	3459	3670	3725	
2.16	Min aisle width for pallet 800x1200.lengthways, lead-acid	Ast	mm	3591	3591	3738	3758	
	Min aisle width for pallet 800x1200.lengthways, lithium			3606	3641	3773	3828	
Tyres								
3.01	Capital W (F/R, X=Driven wheels)			X=2/2				
3.02	Tyres type (F/R)			pneumatic				
3.03	Tyres size,front			6.00-9-10PR		23x9-10-16PR		
3.04	Tyres size,rear			16x6-8-10PR		18x7-8-14PR		
Performance and other details								
4.01	Max. travelling speed,loaded/unloaded, lead-acid		km/h	14/15	14/15	14/15	14/15	
	Max. travelling speed,loaded/unloaded, lithium			14/15	14/15	14/15	14/15	
4.02	Lifting speed, loaded/unloaded			350/500	350/500	300/430	430/300	
4.03	Lowering speed,loaded/unloaded		mm/s	600/≥300				
4.04	MAX. gradeability,loaded/unloaded			20	20	20	20	
4.05	Service weight(with oil & water), lead-acid		kg	3000	3220	3675	3830	
	Service weight(with oil & water),lithium			2680	2910	3230	3520	
4.06	Drive motor			8.2	8.2	11.5	11.5	
4.07	Lift motor			10.6	10.6	15	15	
4.08	Controller			Inmotion	Inmotion	Inmotion	Inmotion	
4.09	Lead-acid battery(voltage / capacity)		V/Ah	80/230		80/300		
	Lithium battery(voltage / capacity)			80/205	80/205	80/205	80/205	

## Mast Specifications

## N Series 1.5-2.5t

Mast Type	Mast Model	H2 Max Lifting Height (mm)	Load Capacity (j=500mm) (kg)				H1 Lowered Mast Height(mm)		H3 Free Lifting Height (mm)		Mast Tilting Angle (°)α/β
			1.5T	1.8T	2T	2.5T	1.5-1.8T	2-2.5T	1.5-1.8T	2-2.5T	
2 Stage Standard Mast-Super Wide Field	M200	2000	1500	1750	2000	2500	1485	1505	135	140	6/8
	M230	2300	/	/	/	/	/	/	/	/	/
	M250	2500	1500	1750	2000	2500	1735	1755	135	140	6/8
	M270	2700	1500	1750	2000	2500	1835	1855	135	140	6/8
	M275	2750	/	/	/	/	/	/	/	/	/
	M300	3000	1500	1750	2000	2500	1985	2005	135	140	6/8
	M330	3300	1500	1750	2000	2500	2135	2155	135	140	6/8
	M350	3500	1500	1750	2000	2500	2235	2255	135	140	6/8
	M370	3700	1500	1750	2000	2500	2335	2355	135	140	6/8
	M375	3750	/	/	/	/	/	/	/	/	/
	M400	4000	1500	1750	2000	2500	2535	2555	135	140	6/5
	M425	4250	1500	1750	2000	2500	2660	2680	135	140	6/5
M450	4500	1400	1600	1900	2300	2785	2805	135	140	6/5	
M475	4750	1400	1600	1850	2100	2910	2930	135	140	6/5	
M500	5000	1200	1350	1800	1950	3035	3055	135	140	6/5	
M550	5500	1100	1200	1400	1550	3335	3355	135	140	3/3	
M600	6000	800	850	950	1100	3585	3605	135	140	3/3	
Note: * means capacity of double front wheels.											
2 Stage Free Mast	ZM200	2000	1500	1750	2000	2500	1485	1505	850	875	6/8
	ZM250	2500	1500	1750	2000	2500	1735	1755	1100	1125	6/8
	ZM270	2700	/	/	2000	2500	/	1855	/	1225	6/8
	ZM275	2750	1500	1750	/	/	1860	/	1225	/	6/8
	ZM300	3000	1500	1750	2000	2500	1985	2005	1350	1375	6/8
	ZM330	3300	1500	1750	2000	2500	2135	2155	1500	1525	6/8
	ZM350	3500	1500	1750	2000	2500	2235	2255	1600	1625	6/8
	ZM370	3700	/	/	2000	2500	/	2355	/	1725	6/8
	ZM375	3750	1500	1750	/	/	2360	/	1725	/	6/8
	ZM400	4000	1500	1750	2000	2500	2535	2555	1900	1925	6/5
ZM425	4250	/	/	2000	2500	/	2680	/	2050	6/5	
ZM450	4500	1400	1600	1900	2300	2785	2805	2150	2175	6/5	
Note: 1.5-1.8T free lifting height with backrest minus 370mm. 2-2.5T free lifting height with backrest minus 380mm.											
Note: * means capacity of double front wheels.											
3 Stage Free Mast	ZSM320	3200	/	/	/	/	/	/	/	/	/
	ZSM360	3600	1500	1750	2000	2500	1785	1805	1150	1175	6/5
	ZSM400	4000	1500	1750	2000	2500	1923	1930	1288	1300	6/5
	ZSM430	4300	/	/	/	/	/	/	/	/	/
	ZSM435	4350	1450	1650	2000	2450	2035	2055	1400	1425	6/5
	ZSM450	4500	1400	1600	2000	2300	2085	2105	1450	1475	6/5
	ZSM470	4700	1350	1550	2000	2200	2155	2170	1520	1540	6/5
	ZSM480	4800	1300	1500	1900	2050	2185	2205	1550	1575	6/5
	ZSM500	5000	1200	1300	1800	1950*2050	2285	2305	1650	1675	6/5
	ZSM540	5400	1000	1050	1400	1550*1950	2410	2430	1775	1800	3/3
	ZSM550	5500	/	/	/	/	/	/	/	/	/
	ZSM600	6000	750	750	950*1500	1100*1800	2635	2655	2000	2025	3/3
ZSM650	6500	600	600	700*1400	800*1600	2835	2845	2200	2215	3/3	
ZSM700	7000	/	/	300*1100	400*1200	/	3115	/	2485	3/3	
Note: 1.5-1.8T free lifting height with backrest minus 370mm. 2-2.5T free lifting height with backrest minus 380mm.											
Note: * means capacity of double front wheels.											
Note: Load capacity is reduced 150kg with optional side shifter for 1.5-2.5t forklift.											